



**Aviation  
Systems**

# MRCC 28

Design, engineering, system integration and  
production for civil & military airborne operations



[www.aviation-systems.com](http://www.aviation-systems.com)

## MRCC 28

**DO160 qualified, ITAR free, De-icing,  
Multirole Color Camera**

The MRCC 28 is a CMOS, global shutter camera. DO160 qualified, it can be used under harsh environment, as needed for flight test or critical missions; for business jets, fighters or helicopters. The sensor used (e2v 1.3M pixels, global shutter) delivers analog and SD SDI, non-interlaced video. With its double integration and high dynamic, MRCC 28 can get from darkness to brightness without blooming / backlighting effect.



Aviation-Systems GmbH  
Grashofstr.7-9  
24568 Kaltenkirchen / Germany  
Tel: +49 4191 50 97 05 1  
[info@aviation-systems.com](mailto:info@aviation-systems.com)

# MRCC

product of EASii IC SAS



## Aviation Systems

| Sensor             |   |
|--------------------|---|
| Manufacturer       | e2v                                     |
| Type               | CMOS global shutter                     |
| Size               | ½"                                      |
| Sensor definition  | 1280x1024                               |
| Pixel size         | 5.3µ                                    |
| Sensitivity        | From 0,3 Lux, F 1.2                     |
| Shutter            | 1s to 1/100 000s                        |
| Automatic gain     | Yes                                     |
| Double integration | Yes                                     |
| Video (both)       |   |
| Analog             | PAL (720x576p)                          |
| Digital            | SD SDI SMPTE 259M-C (720x576p)          |
| Description        |   |
| Body               | Anodized aluminium                      |
| Window             | Sapphire                                |
| Dimensions         | 120x55x40 mm                            |
| Weight             | 350g                                    |
| Focal lenses       | M12                                     |
| Horizontal FOV     | From 25° to 97° (depending on lenses)   |
| Power management   |   |
| Voltage            | 9 – 36 volts DC                         |
| Power              | 2 watts (typical)                       |
| Environment        |   |
| Operation T°       | -40°C to +70°C (DO160 section 4 cat A1) |
| Storage T°         | -40°C to +85°C                          |
| Altitude           | 50 000 feet (DO160 section 4)           |
| Acceleration       | (DO160 section 4 cat A1)                |
| Shock              | (DO160 section 7)                       |
| Vibrations         | (DO160 section 8)                       |
| EMI / EMC          | (DO160 section 8)                       |



Global shutter =  
No « rolling shutter » effect



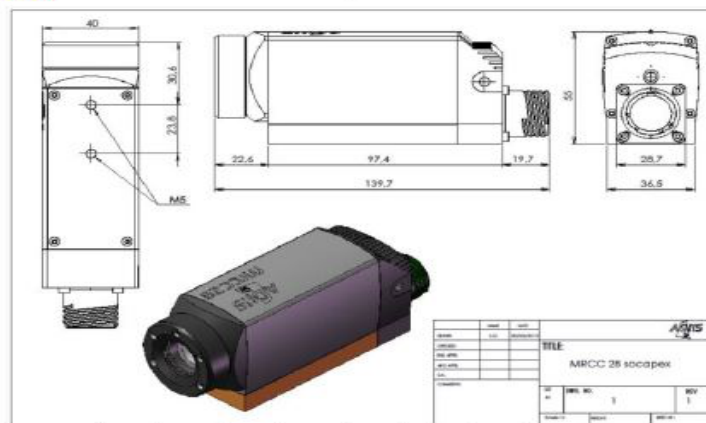
720x576p =  
No « comb effect »



Double integration =  
No Backlighting



CMOS Sensor =  
No Smearing



Aviation-Systems GmbH are a distributor  
of EASii IC



Aviation-Systems GmbH  
Grashofstr.7-9  
24568 Kaltenkirchen / Germany  
Tel: +49 4191 50 97 05 1  
info@aviation-systems.com